



**SELF-PROPELLED  
CONCRETE PLACING BOOMS**  
with  
4X4 HYDROSTATIC DRIVE

**BW**  
Series  
BW 19  
BW 21  
BW 24



## Converts Your “Stationary Pump” to “Mobile Pump”!

### BW 21

- Easily Transported, Thanks to The Modular Structure with (Optional) Remote Control System
- Option of Diesel, Petrol or Electric Engines
- The Unique 4 – Wheel Driven Hydraulic Placing Boom in The World!
- Hydrostatic 4 – Wheel Drive!

### BW 24

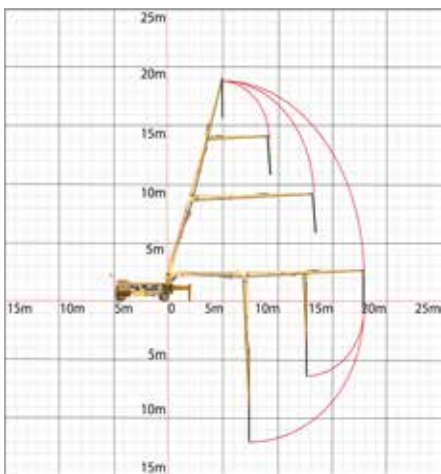
- There is a Wireless Remote Control
- Diesel Engine
- Without Ballast



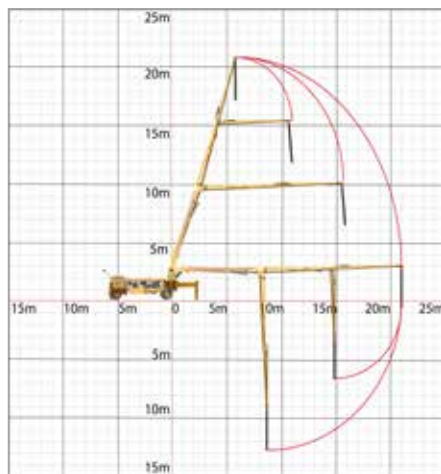


<b>BW</b>			
<b>PROPERTIES</b>	<b>BW 19</b>	<b>BW 21</b>	<b>BW 24</b>
Diesel Engine Power	24-36 kW	24-45 kW	24-45 kW
Max. Reach of Height	19 m	21 m	24 m
Max. Horizontal Reach	17 m	19 m	21 m
360° Slew Motion	Std.	Std.	Std.
Radio Remote Control	Std.	Std.	Std.
Proportional Command	Std.	Std.	Std.
Emergency Hand Pump	Std.	Std.	Std.
4-Outriggers with Hydraulic Lift Jacks	Std.	Std.	Std.
<b>Folded Transport Dimensions</b>			
Overall Length	10670 mm	6900 mm	9800 mm
Overall Height	2600 mm	2600 mm	2600 mm
Overall Width	2300 mm	2250 mm	2250 mm
Operating Weight	8500 kg	9000 kg	12200 kg

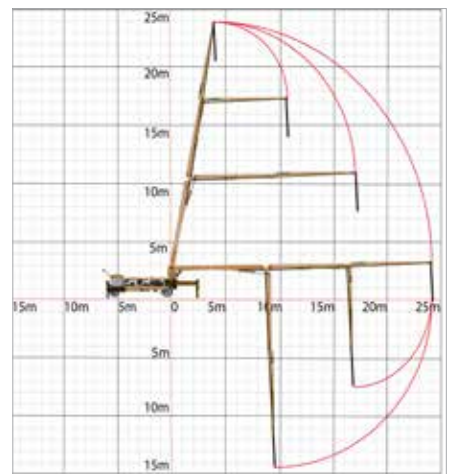
**BW 19**



**BW 21**



**BW 24**



**BW 21 / Costa Rica**



**BW 19 / Qatar**



Atabey; Common language of concrete  
placer's in more than 70 countries



/AtabeyBetonMakinalari



/atabeyconstructionequipment



atabey construction equipment



[www.atabeymakina.com](http://www.atabeymakina.com)

**Address:** Keresteciler San. Sit. 4. Cad. No: 39 Kahramankazan / Ankara - TURKEY

**Phone:** +90 312 441 11 33 **Fax:** +90 312 441 58 88